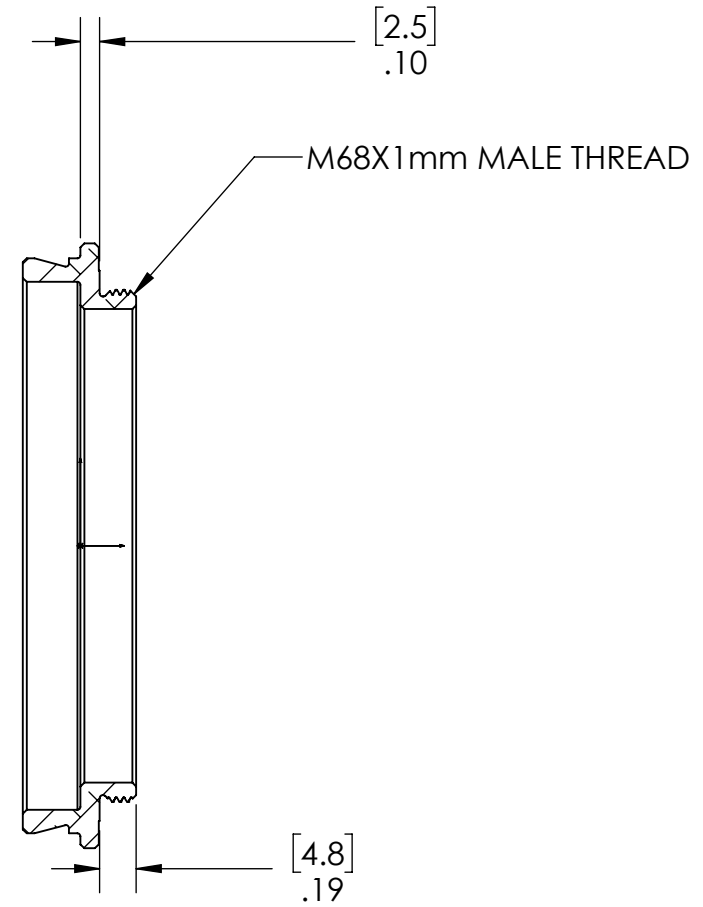
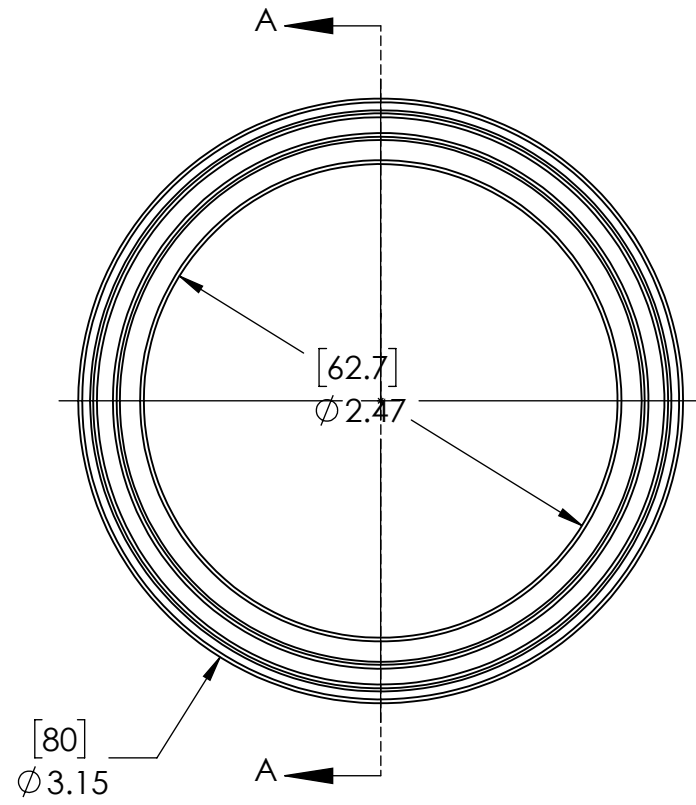
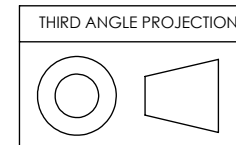


PN 7047  
 STK. NO. 19956



SECTION A-A



UNLESS OTHERWISE SPECIFIED: DIMENSIONS ARE IN INCHES TWO PLACE DECIMAL $\pm .007$ THREE PLACE DECIMAL $\pm .003$	DRAWN	LD	10/5/20	<b>Optec Inc.</b>
	CHECKED			
	ENG APPR.			
	MFG APPR.			
MATERIAL	6061-T6			TITLE:
FINISH	SEE NOTES			OPTEC-3000-S TO M68X1 MALE
DO NOT SCALE DRAWING	CONTRACT			SIZE DWG. NO.
	OPTEC-3000-S			<b>B</b> 19-06722
	SCALE: 1:1	WEIGHT:	SHEET 1 OF 1	