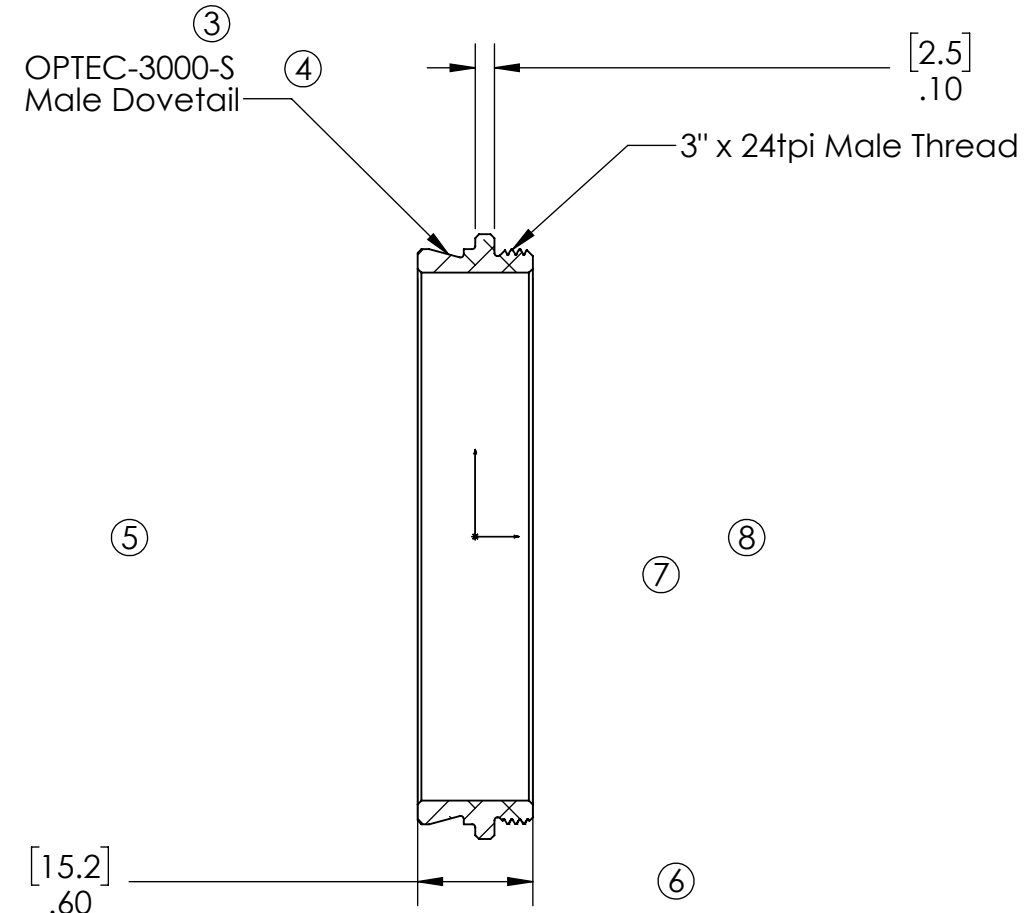
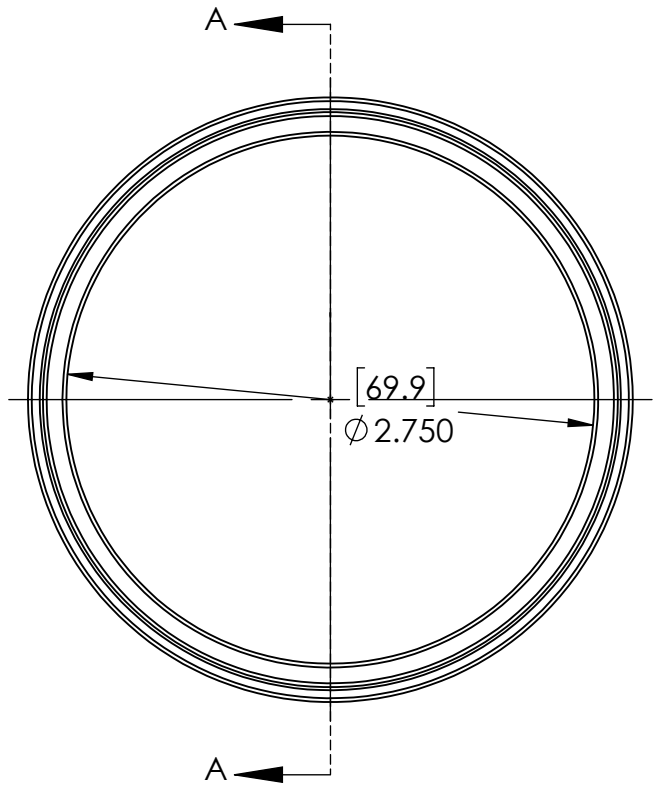
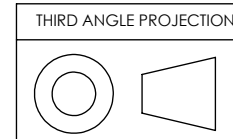


PN 6049  
 STK. NO. 19953



SECTION A-A



UNLESS OTHERWISE SPECIFIED: DIMENSIONS ARE IN INCHES TWO PLACE DECIMAL ±.007 THREE PLACE DECIMAL ±.003	DRAWN	NAME	DATE	<b>Optec Inc.</b>
	CHECKED	6/7/19	LD	
	ENG APPR.			
	MFG APPR.			
MATERIAL	CONTRACT			TITLE:
6061-T6	OPTC-3000-S			OPTEC-3000-S TO 3.000-24 UNS-2A
FINISH	DO NOT SCALE DRAWING			SIZE DWG. NO.
SEE NOTES				<b>B</b> 19-06716
				SCALE: 1:1 WEIGHT: SHEET 1 OF 1