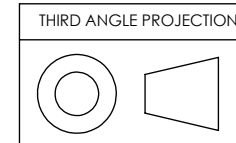
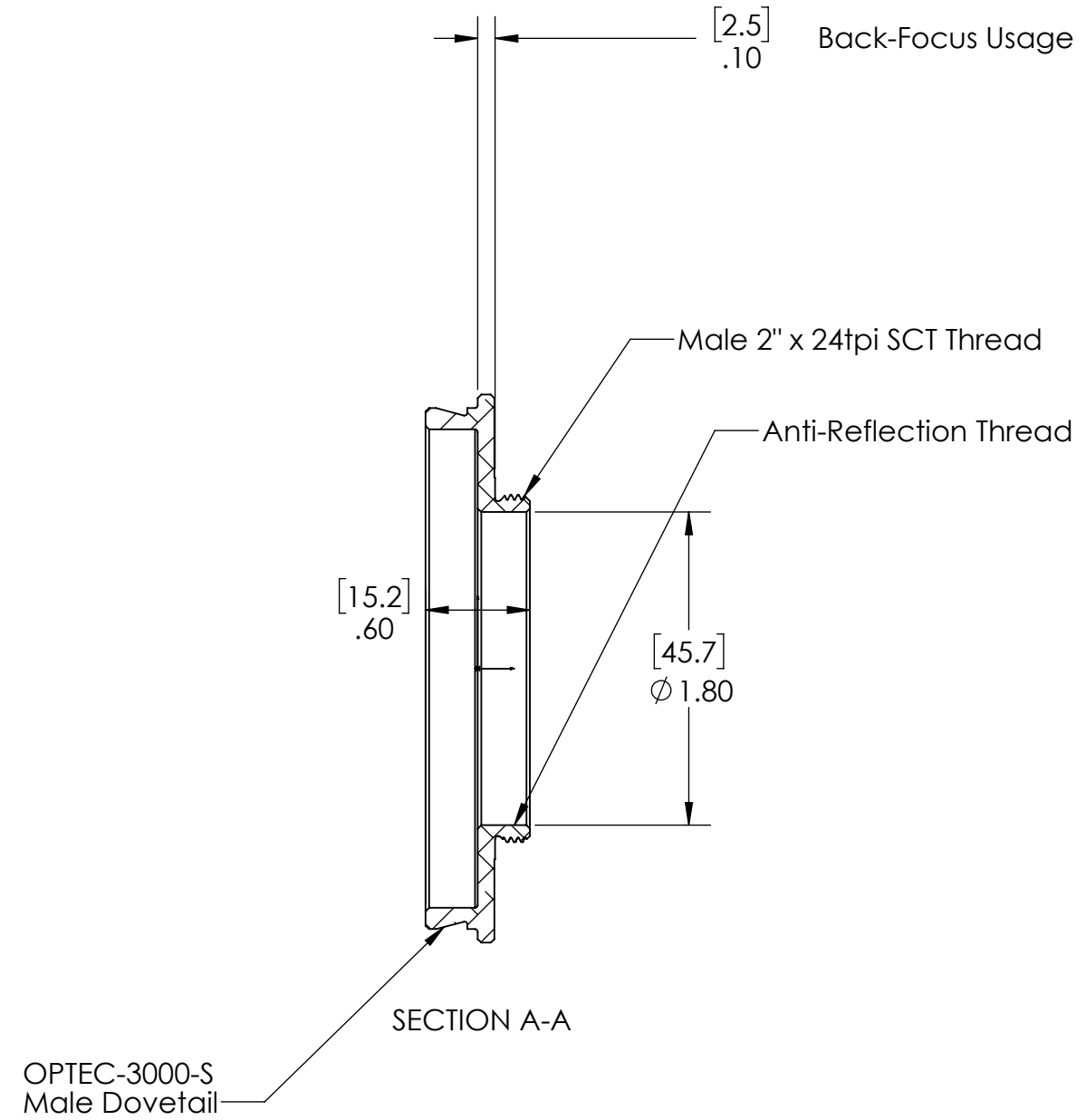
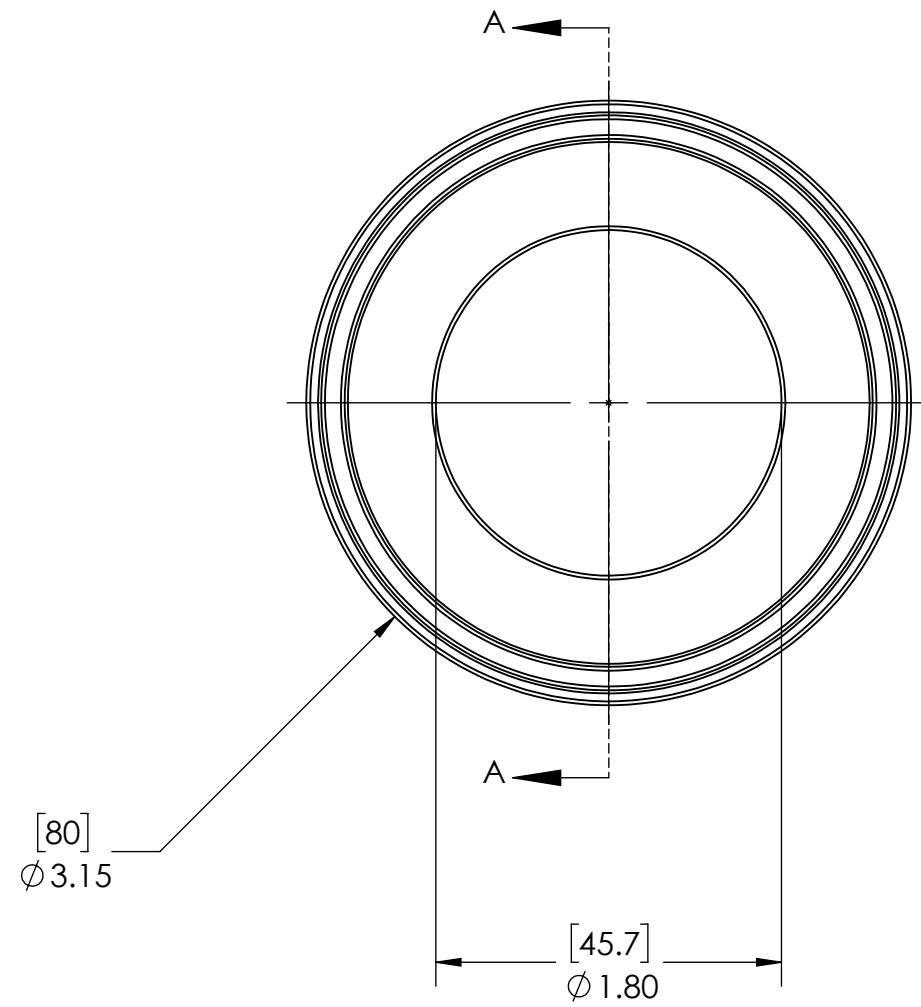


PN 6043
 STK. NO. 19952



UNLESS OTHERWISE SPECIFIED: DIMENSIONS ARE IN INCHES TWO PLACE DECIMAL ±.007 THREE PLACE DECIMAL ±.003	DRAWN	LD	6/10/19	Optec Inc.
	CHECKED			
	ENG APPR.			
	MFG APPR.			
MATERIAL	6061-T6			TITLE: OPTEC-3000-S TO SCT THREAD
FINISH	SEE NOTES			
DO NOT SCALE DRAWING	CONTRACT OPTEC-3000-S			SIZE DWG. NO. B 19-06715
	SCALE: 1:1	WEIGHT:	SHEET 1 OF 1	