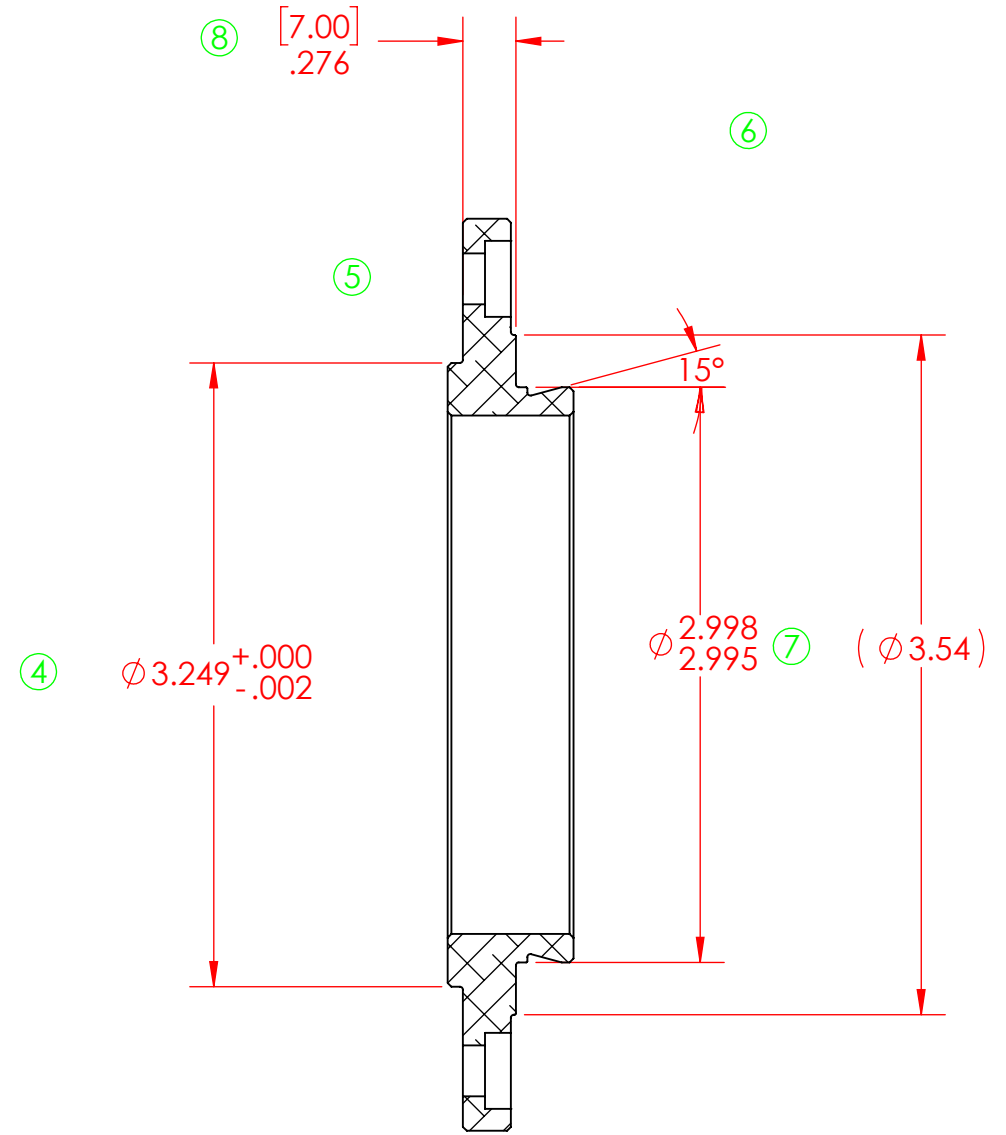
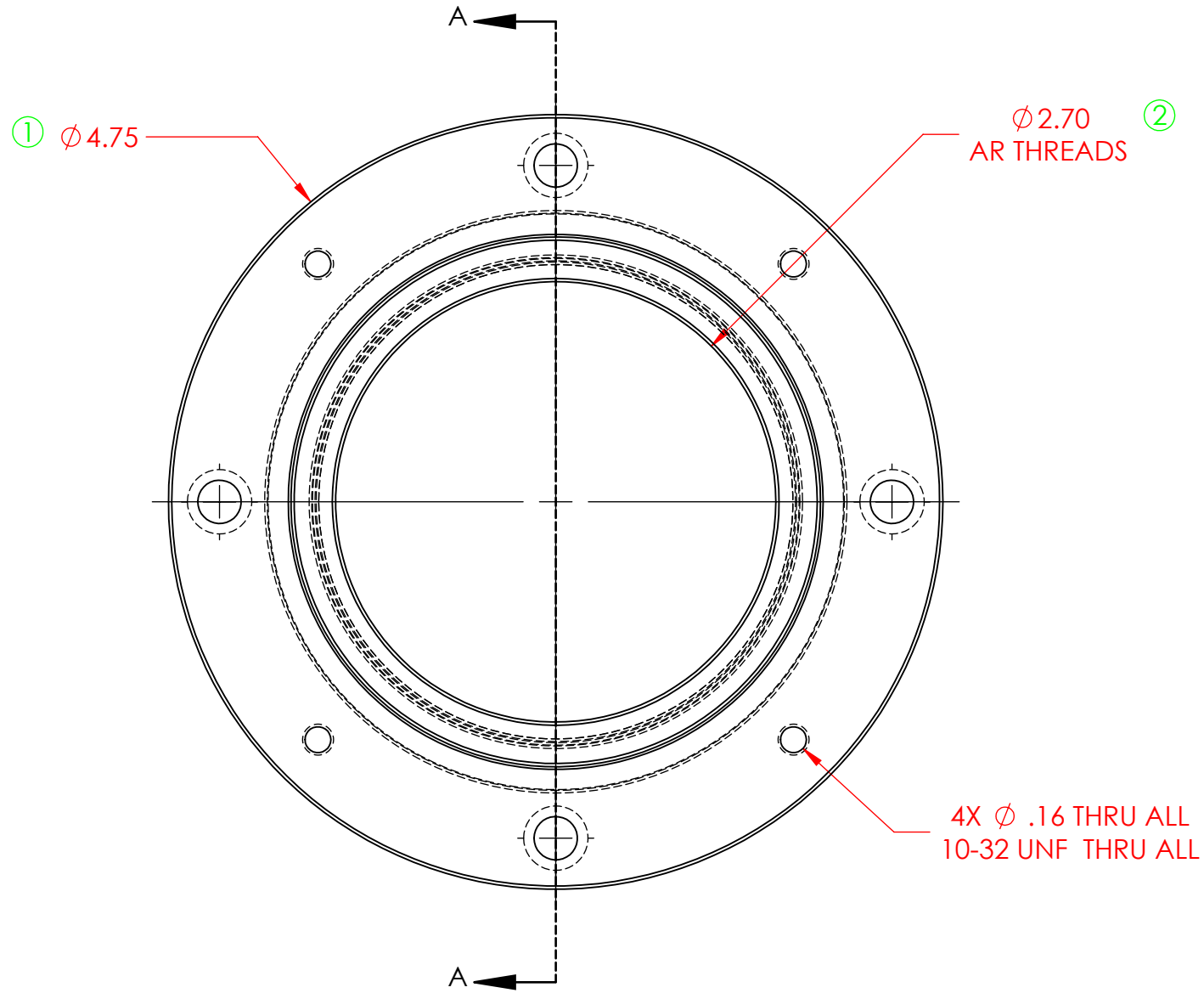


PN 7110
 STK NO 19949



SECTION A-A

UNLESS OTHERWISE SPECIFIED: DIMENSIONS ARE IN INCHES TWO PLACE DECIMAL $\pm .007$ THREE PLACE DECIMAL $\pm .003$	DRAWN	NAME	DATE	Optec Inc.
	CHECKED	LD	8/29/22	
	ENG APPR.			
	MFG APPR.			
MATERIAL	CONTRACT			TITLE:
6061-T6	OPTEC-3000S			PW SECURE FIT TO OPTEC-3000S
FINISH	DO NOT SCALE DRAWING			SIZE DWG. NO.
SEE NOTES				B 19-06726
				SCALE: 1:1 WEIGHT: SHEET 1 OF 1

