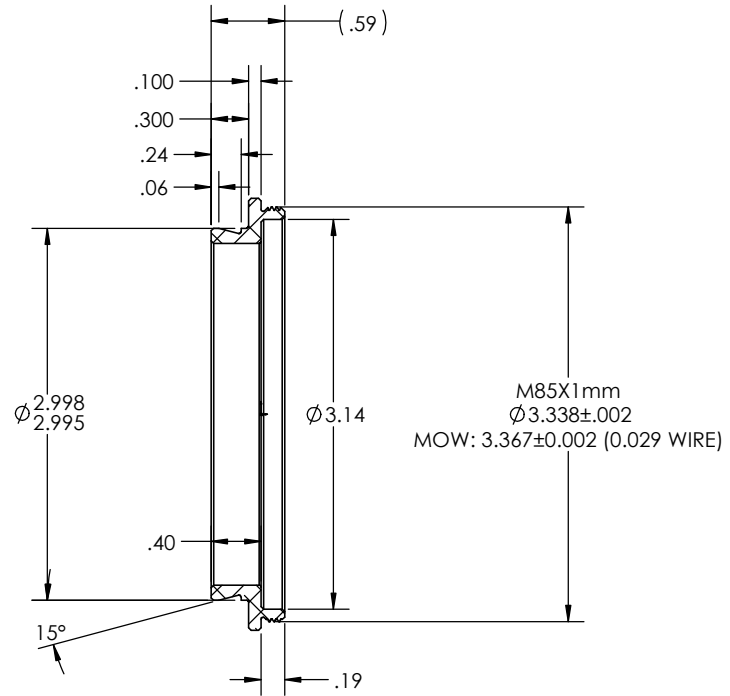
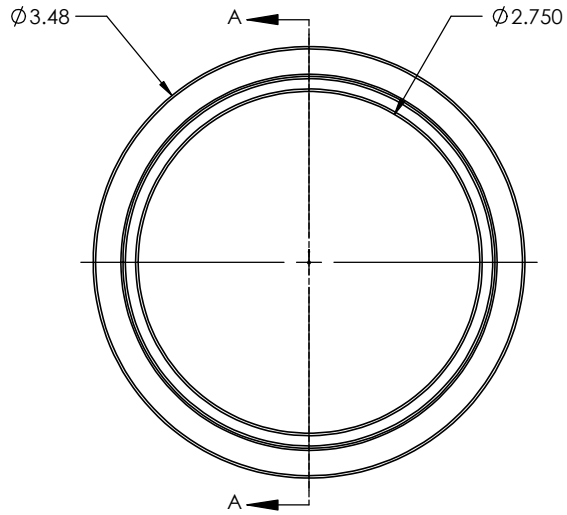


PN 7211
STK. NO. 19948



SECTION A-A

REVISIONS			
REV.	DESCRIPTION	DATE	APPROVED
A	INITIAL RELEASE	12/19/2024	LD

THIRD ANGLE PROJECTION



UNLESS OTHERWISE SPECIFIED:		NAME	DATE	Optec Inc.
DIMENSIONS ARE IN INCHES TWO PLACE DECIMAL ±.007 THREE PLACE DECIMAL ±.003		DRAWN	LD 12/19/24	
MATERIAL		CHECKED		
6061-T6		ENG APPR.		
FINISH		MFG APPR.		TITLE: OPTEC-3000-S TO M85X1 MALE
SEE NOTES		Q.A.		
DO NOT SCALE DRAWING		CONTRACT		SIZE DWG. NO.
		OPTEC-3000-S		B 19-06720
		SCALE: 1:1	WEIGHT:	SHEET 1 OF 1