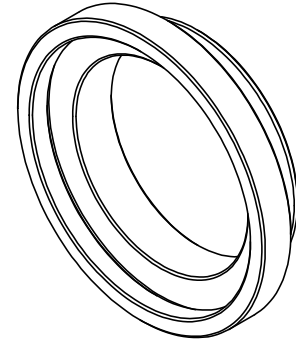
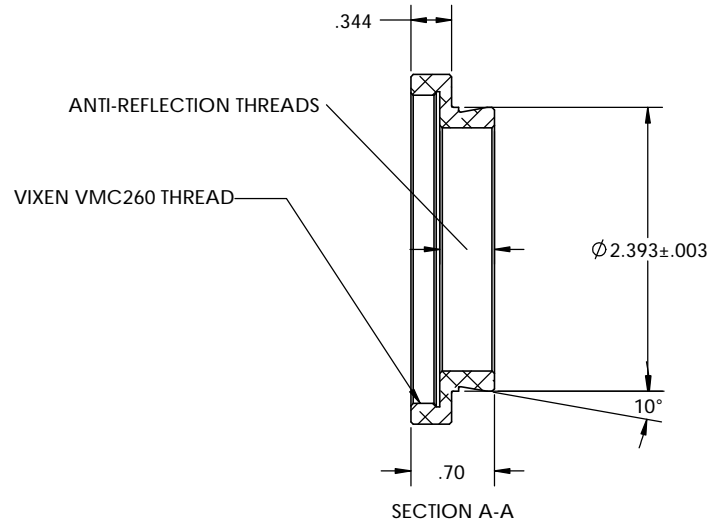
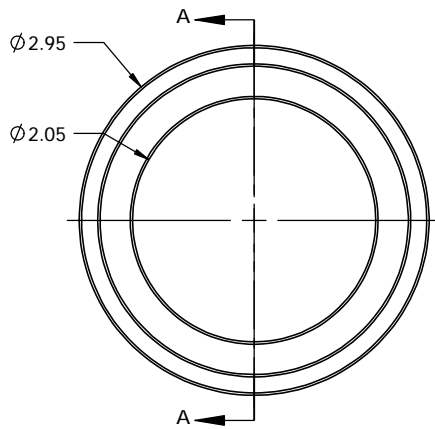


PN 5009
 STK. NO. 19661



UNLESS OTHERWISE SPECIFIED: DIMENSIONS ARE IN INCHES TOLERANCES: FRACTIONAL ± ANGULAR: MACH ± BEND ± TWO PLACE DECIMAL ±.007 THREE PLACE DECIMAL ±.003	DRAWN	NAME	DATE	Optec Inc. TITLE: VIXEN VMC260 TO OPTEC 2400
	CHECKED	LD	11/04/09	
	ENG APPR.			
	MFG APPR.			
	Q.A.			
THIRD ANGLE PROJECTION	MATERIAL	CONTRACT		SIZE
	6061-T6	OPTEC-2400		DWG. NO.
	FINISH			B
	SEE NOTES			17-06704
	DO NOT SCALE DRAWING			SCALE: 1:1
				WEIGHT:
				SHEET 1 OF 1

