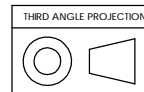
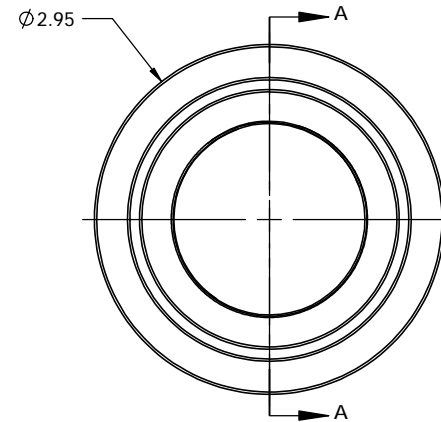
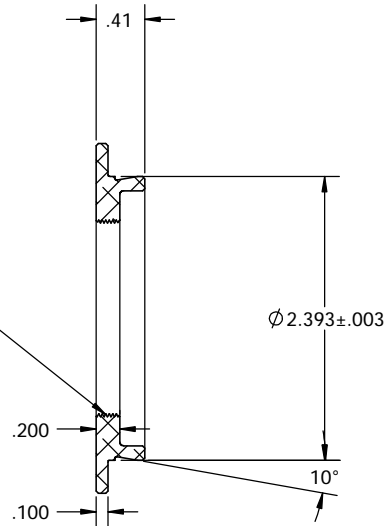


PN 5005
STK NO 19651

PENTAX-THREAD



UNLESS OTHERWISE SPECIFIED: DIMENSIONS ARE IN INCHES TOLERANCES: FRACTIONAL ± ANGULAR: MACH ± BEND ± TWO PLACE DECIMAL ±.007 THREE PLACE DECIMAL ±.003	DRAWN	NAME	DATE	Optec Inc. TITLE: FEMALE PENTAX TO OPTEC-2400
	CHECKED	LD	10/15/09	
	ENG APPR.			
	MFG APPR.			
MATERIAL	CONTRACT		SIZE	DWG. NO.
6061-T6	OPTEC-2400		B	17-06337
FINISH FROSTY OTE BRIGHT DIP BLACK			SCALE: 1:1	WEIGHT:
DO NOT SCALE DRAWING			SHEET 1 OF 1	