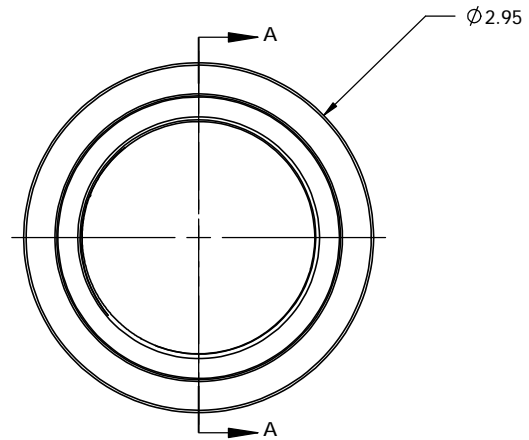
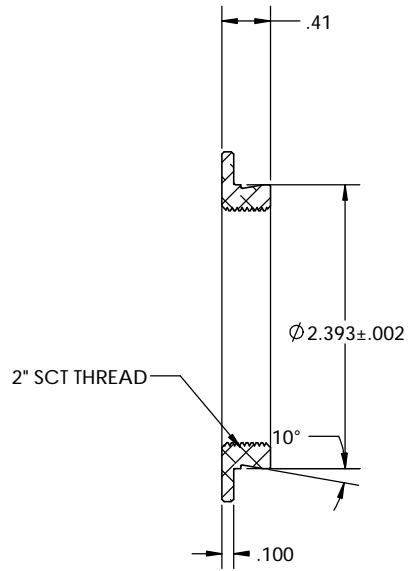


PN 3522
 STK NO. 17454



THIRD ANGLE PROJECTION		UNLESS OTHERWISE SPECIFIED:		DRAWN	NAME	DATE	Optec Inc.		
DIMENSIONS ARE IN INCHES TOLERANCES: FRACTIONAL \pm ANGULAR: MACH \pm BEND \pm TWO PLACE DECIMAL $\pm .007$ THREE PLACE DECIMAL $\pm .003$		MATERIAL		CHECKED	LD	07/06/10	TITLE:		
		FINISH		ENG APPR:			2" SCT THREAD TO		
		DO NOT SCALE DRAWING		MFG APPR:				OPTEC-2400	
				Q.A.				SIZE	
		CONTRACT		OPTEC-2400		DWG. NO.			
		6061-T6				B			
		SEE NOTES				17-06316			
						SCALE: 1:1			
						WEIGHT:			
						SHEET 1 OF 1			