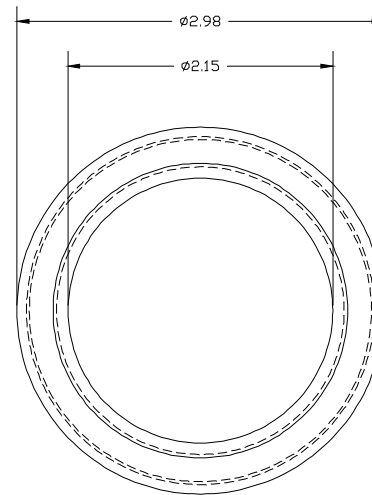
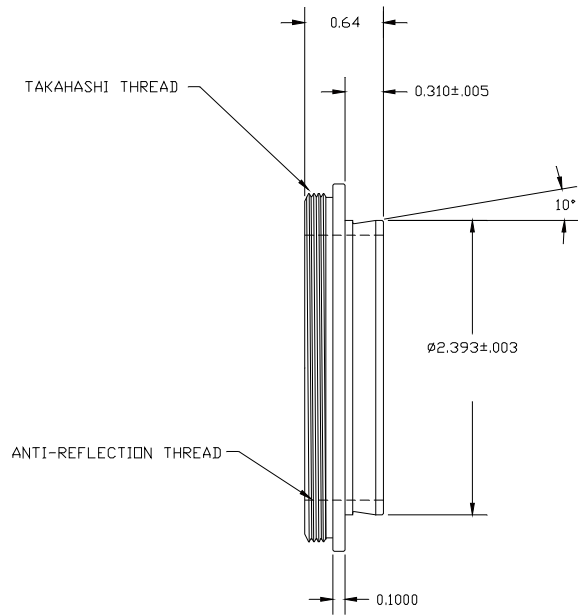


PN3915
 STK# 17453



| | | | |
|---------------------------------------|--|--------------------|--------------|
| TOLERANCE .XX ±.007.XXX ±.003 | CONTRACT OPT-2400 | <i>OPTEC, Inc.</i> | |
| MATERIAL 6061 T6 | REVISION 5/16/00 6/8/06 6/22/07 | | |
| FINISH BRIGHT DIP BLACK ANODIZE | | SCALE: 1X | NO: 17-06324 |