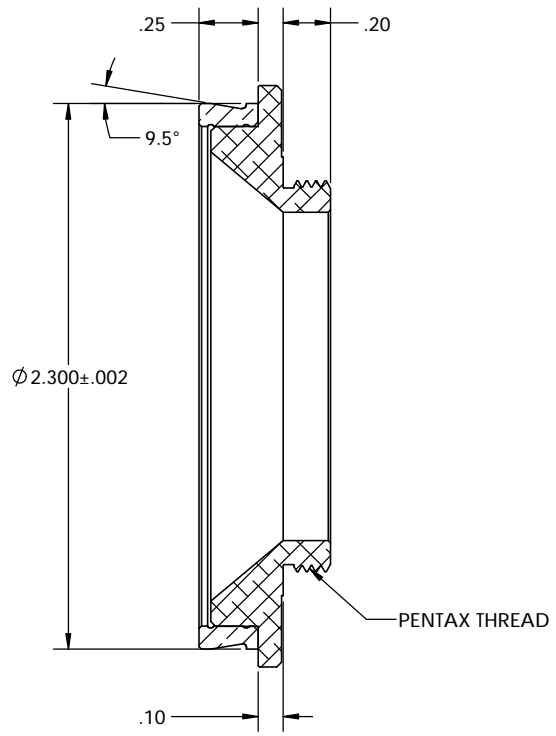
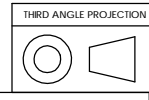
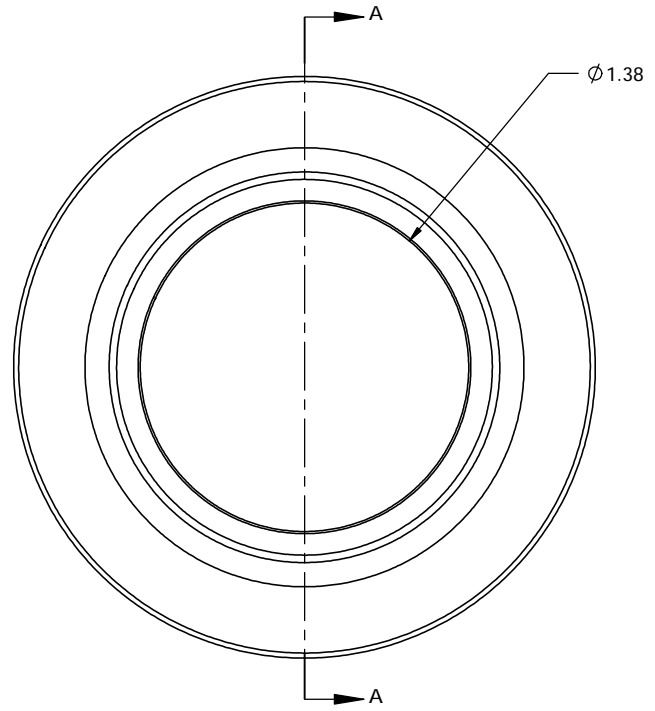


STK NO 17647



SECTION A-A



UNLESS OTHERWISE SPECIFIED: DIMENSIONS ARE IN INCHES TWO PLACE DECIMAL $\pm .007$ THREE PLACE DECIMAL $\pm .003$	DRAWN	NAME	DATE	Optec Inc.
	CHECKED	LD	5/7/14	
	ENG APPR.			
	MFG APPR.			
MATERIAL	CONTRACT			TITLE:
N/A	OPTEC 2300			OPTEC 2300 TO PENTAX
FINISH	N/A			SIZE DWG. NO.
DO NOT SCALE DRAWING				B
				SCALE: 2:1
				WEIGHT:
				SHEET 1 OF 1