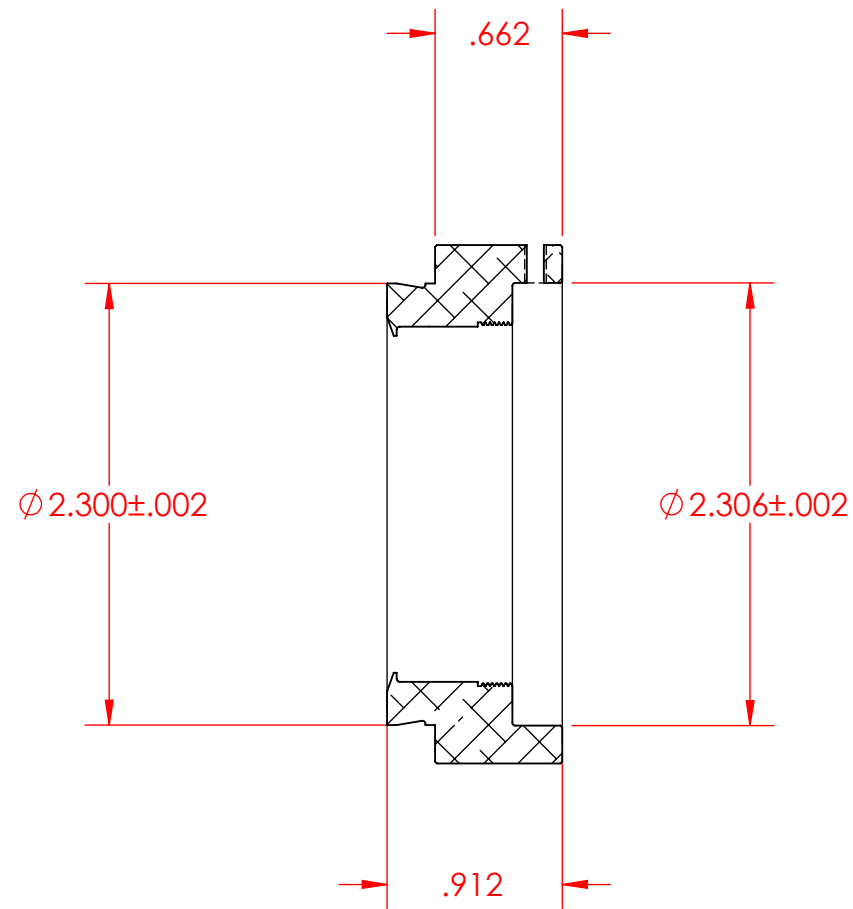
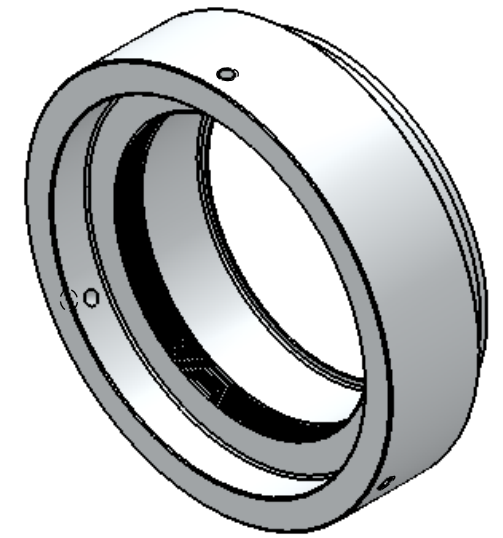
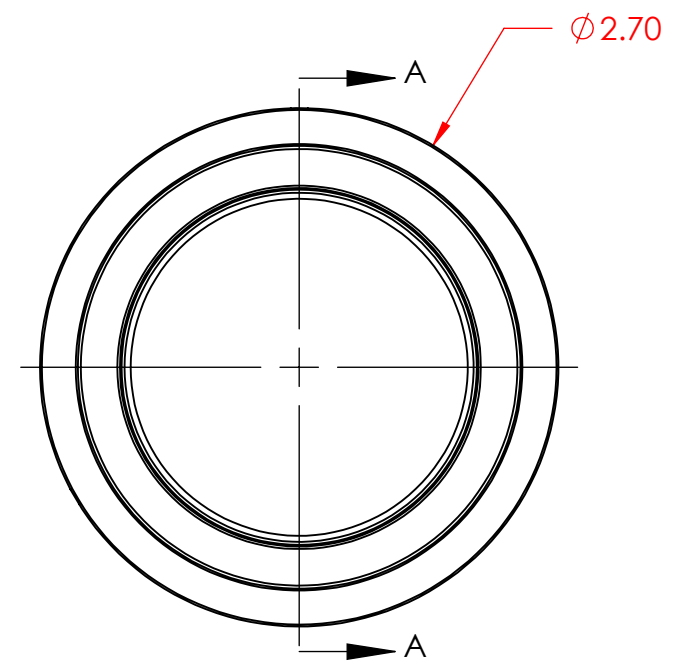


PN 4923



SECTION A-A



UNLESS OTHERWISE SPECIFIED: DIMENSIONS ARE IN INCHES TOLERANCES: FRACTIONAL \pm ANGULAR: MACH \pm BEND \pm TWO PLACE DECIMAL $\pm .007$ THREE PLACE DECIMAL $\pm .003$	DRAWN	NAME	DATE	Optec, Inc.
	CHECKED	LD	05/04/09	
	ENG APPR.			
	MFG APPR.			
MATERIAL	CONTRACT			TITLE: AP 0.67X ADAPTER
6061-T6	PYXIS			
FINISH	SIZE	DWG. NO.		SHEET 1 OF 1
FROSTKOTE BRIGHT DIP BLACK	B	17-15017		
DO NOT SCALE DRAWING	SCALE: 1:1	WEIGHT:		

