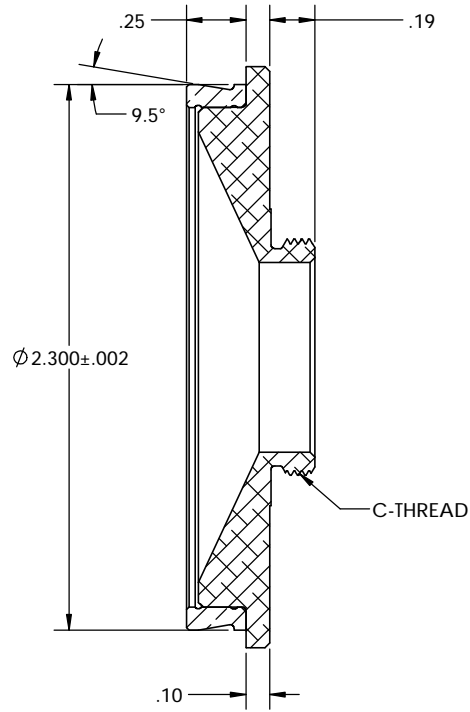
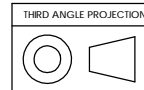
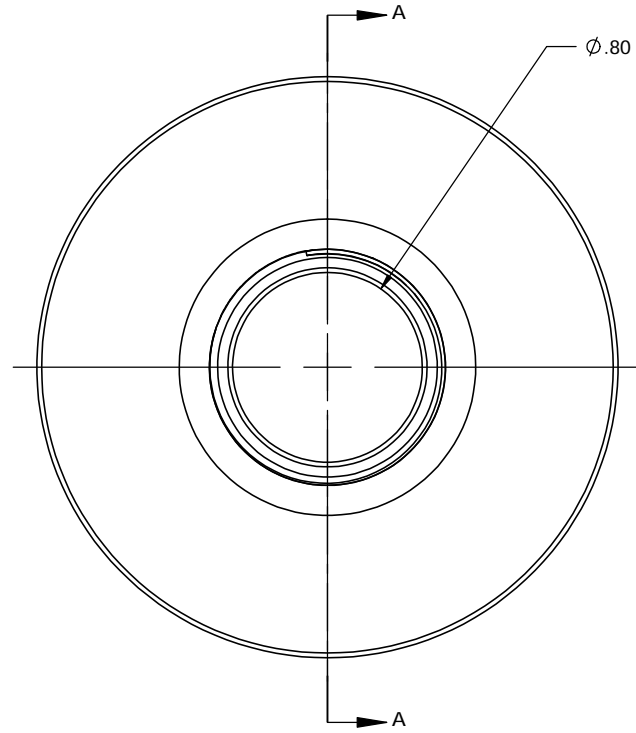


STK NO 17649



SECTION A-A



UNLESS OTHERWISE SPECIFIED: DIMENSIONS ARE IN INCHES TWO PLACE DECIMAL ±.007 THREE PLACE DECIMAL ±.003	DRAWN	NAME	DATE	Optec Inc.
	CHECKED	LD	//	
	ENG APPR.			
	MFG APPR.			
MATERIAL	N/A	CONTRACT		TITLE: OPTEC 2300 TO C-THREAD
FINISH	N/A	OPTEC 2300		SIZE DWG. NO. B
DO NOT SCALE DRAWING				SCALE: 2:1 WEIGHT: SHEET 1 OF 1