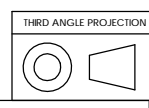
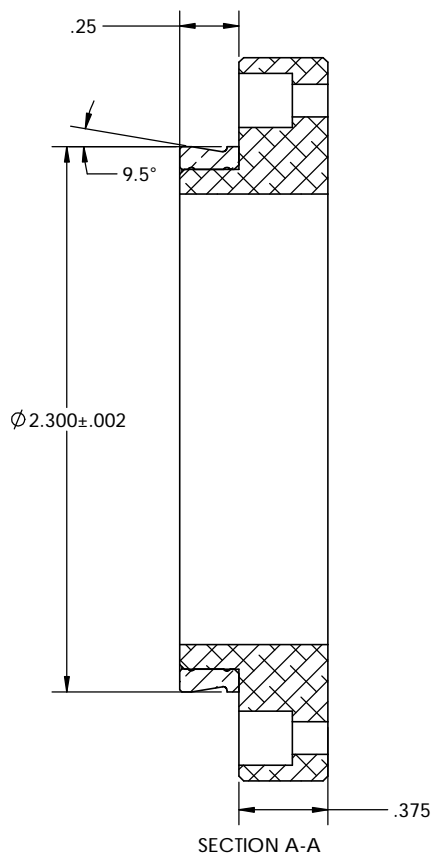
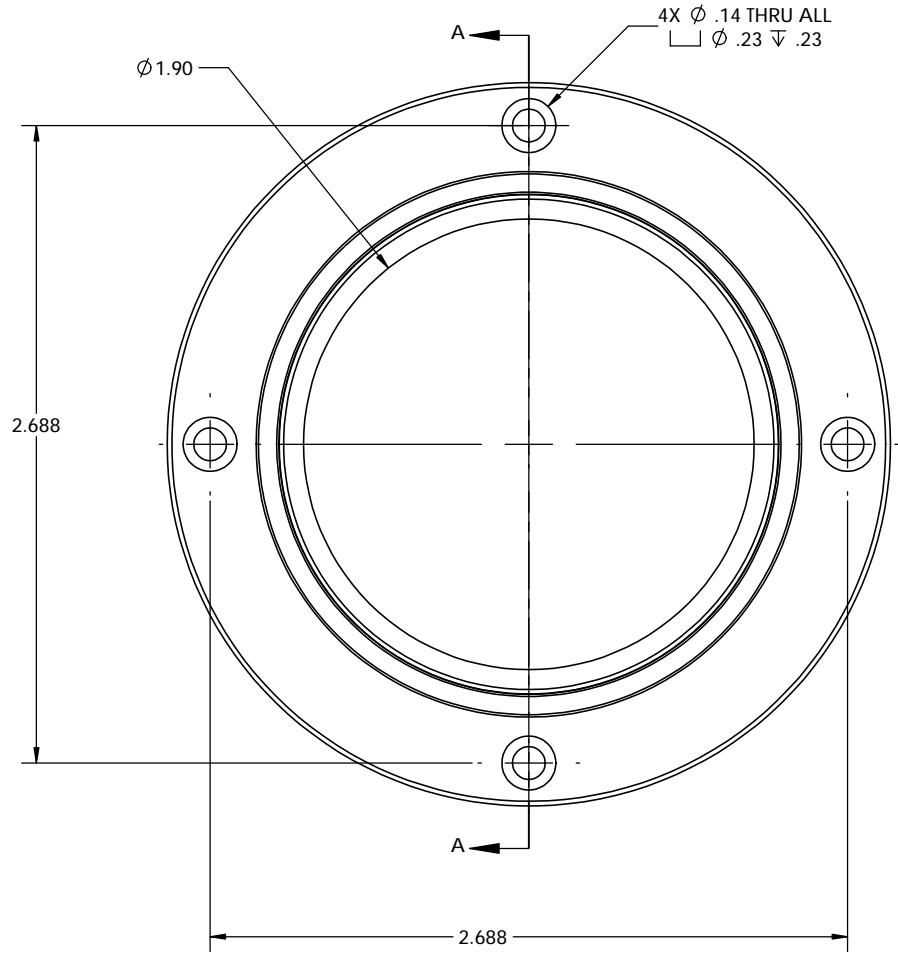


STK NO 17644



|   |            |        |   |              |
|---|------------|--------|---|--------------|
| UNLESS OTHERWISE SPECIFIED:<br>DRAWN<br>CHECKED<br>ENG APPR.<br>MFG APPR.<br>G.A. | NAME       | DATE   | <b>Optec Inc.</b><br><br>TITLE:<br><b>OPTEC 2300 TO<br/>SBIG STL 4 BOLT</b> |              |
|   | LD         | 5/7/14 |   |              |
|   |            |        |   |              |
|   |            |        |   |              |
| MATERIAL  | CONTRACT   |        | SIZE  | DWG. NO.     |
| N/A   | OPTEC 2300 |        | <b>B</b>  |              |
| FINISH  |            |        | SCALE: 2:1  | WEIGHT:      |
| N/A   |            |        |   | SHEET 1 OF 1 |
| DO NOT SCALE DRAWING  |            |        |   |              |