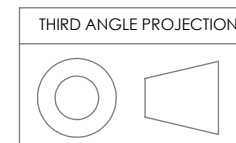
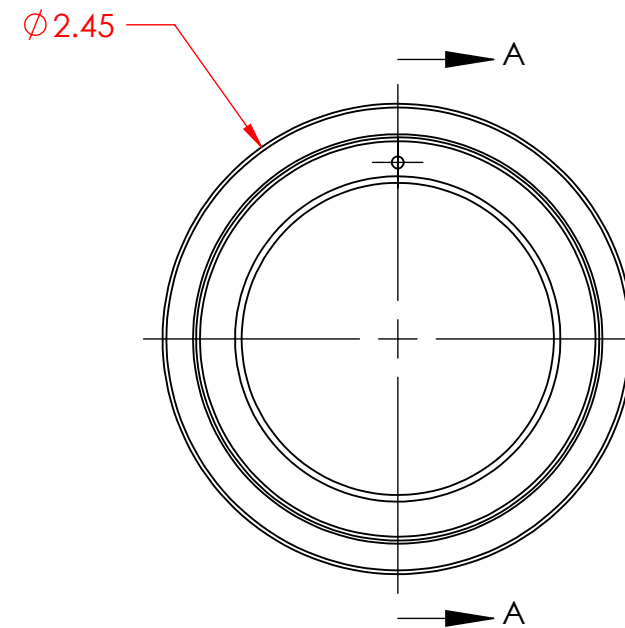
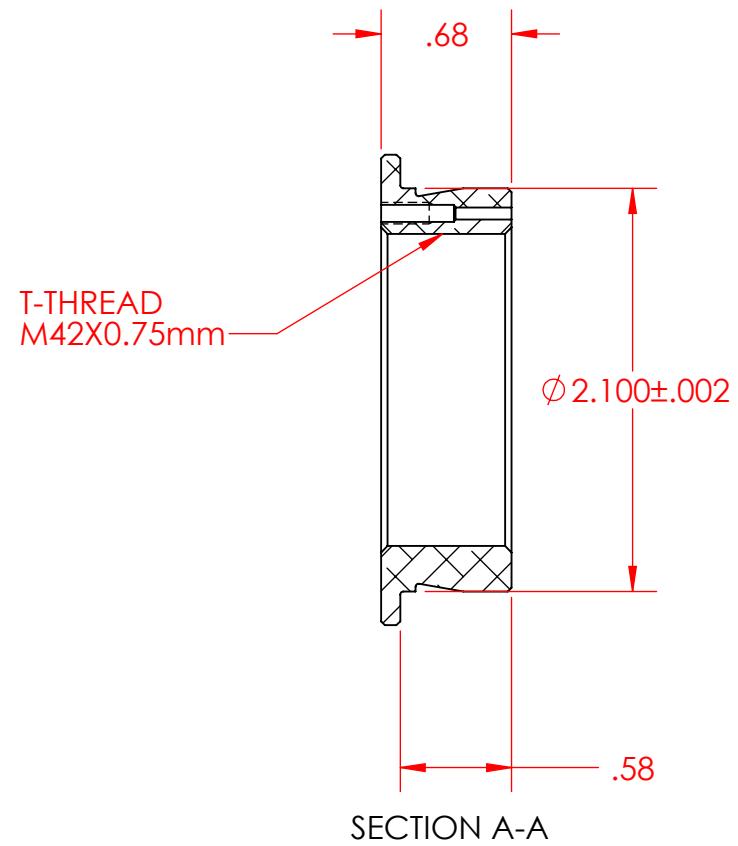


PN 5201  
 STK NO 17641



UNLESS OTHERWISE SPECIFIED:	DRAWN	NAME	DATE	<b>Optec Inc.</b>	
	CHECKED	LD	11/18/10		
	ENG APPR.				
	MFG APPR.				
DIMENSIONS ARE IN INCHES TOLERANCES: FRACTIONAL $\pm$ ANGULAR: MACH $\pm$ BEND $\pm$ TWO PLACE DECIMAL $\pm .007$ THREE PLACE DECIMAL $\pm .003$				TITLE: T-THREAD TO OPTEC 2100	
MATERIAL	6061-T6	CONTRACT		SIZE	
FINISH	SEE NOTES	PYXIS		DWG. NO. <b>17-15020</b>	
DO NOT SCALE DRAWING				SCALE: 1:1	WEIGHT:
				SHEET 1 OF 1	