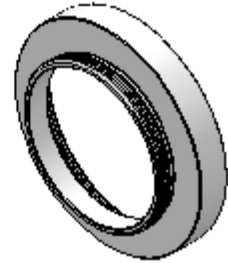
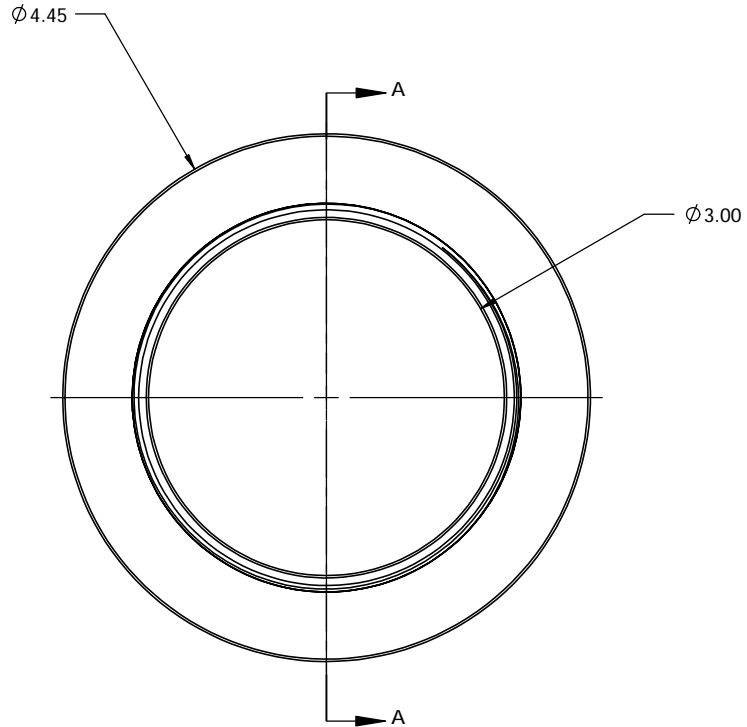
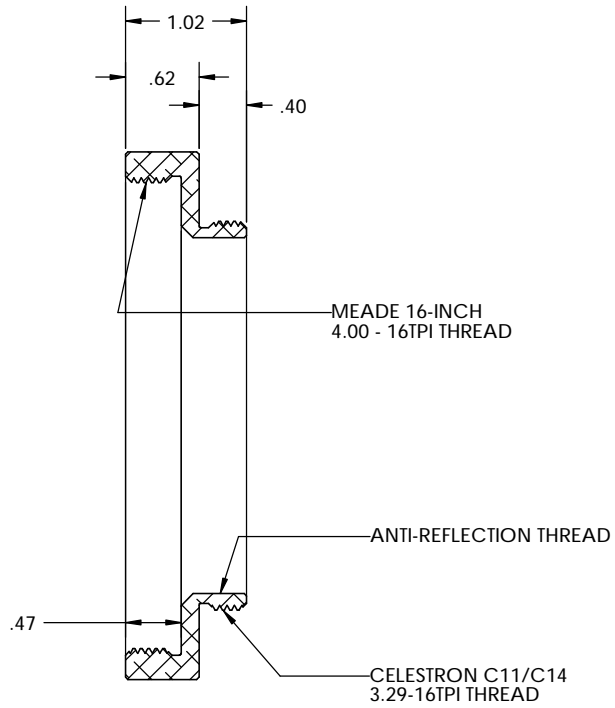


PN 5114  
 STK NO. 19790



UNLESS OTHERWISE SPECIFIED: DIMENSIONS ARE IN INCHES TOLERANCES: FRACTIONAL ± ANGULAR: MACH ± BEND ± TWO PLACE DECIMAL ±.007 THREE PLACE DECIMAL ±.003	DRAWN	NAME	DATE	<b>Optec Inc.</b>  TITLE: <b>HOFFMAN ADAPTER</b>
	CHECKED	LD	06/23/10	
	ENG APPR.			
	MFG APPR.			
	Q.A.			
THIRD ANGLE PROJECTION	MATERIAL	CONTRACT		SIZE
	6061-T6	MISC ADAPTERS		DWG. NO.
	FINISH SEE NOTES			<b>B</b>
	DO NOT SCALE DRAWING			SCALE: 1:1
				WEIGHT:
				SHEET 1 OF 1

