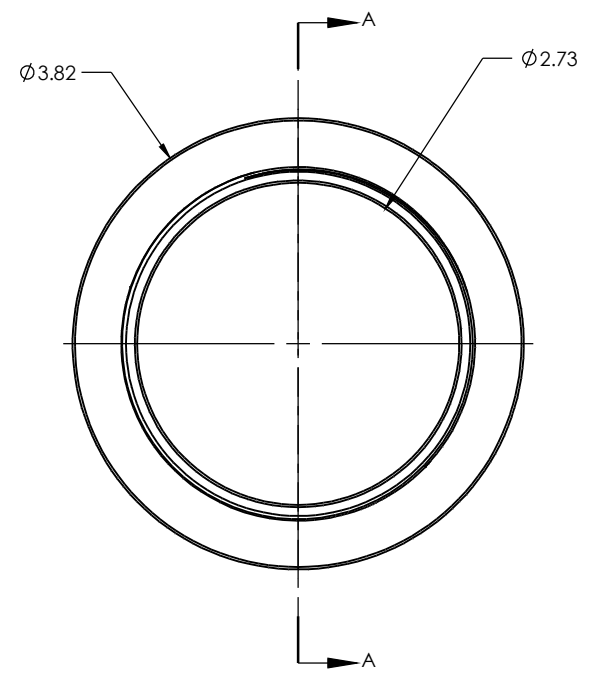
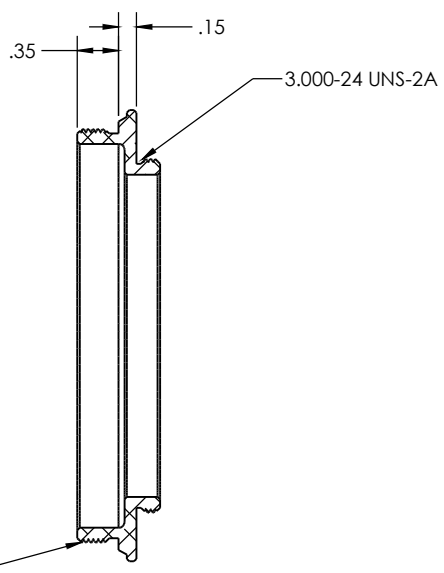
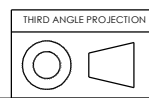


PN 5674  
STK. NO. 19915



DSI 3.500 - 24 UNS-2A



UNLESS OTHERWISE SPECIFIED: DIMENSIONS ARE IN INCHES TWO PLACE DECIMAL $\pm .007$ THREE PLACE DECIMAL $\pm .003$	DRAWN	NAME	DATE	<b>Oplec Inc.</b>
	CHECKED	LD	10/14/13	
	ENG APPR.			
	MFG APPR.			
MATERIAL	CONTRACT			TITLE:
6061-T6	DSI			DSI 3.500-24 TO 3.000-24
FINISH	SEE NOTES			SIZE
DO NOT SCALE DRAWING				<b>B</b>
				DWG. NO.
				19-06787
				SCALE: 1:1
				WEIGHT:
				SHEET 1 OF 1