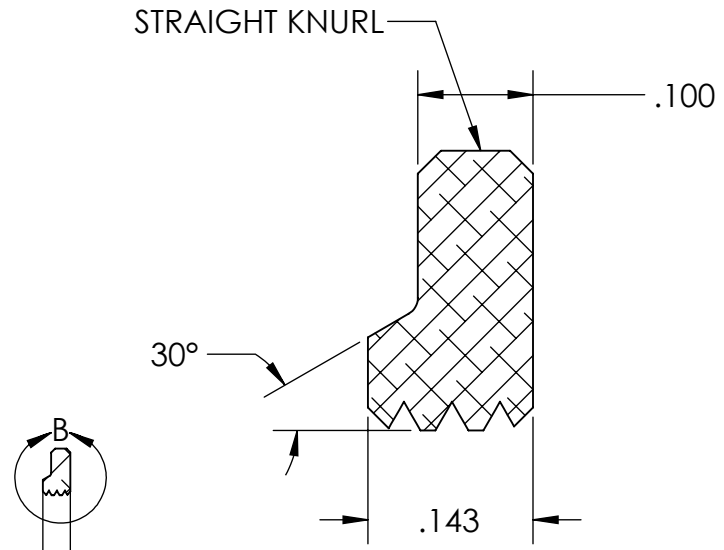
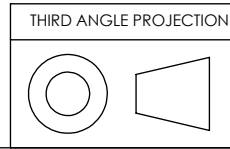
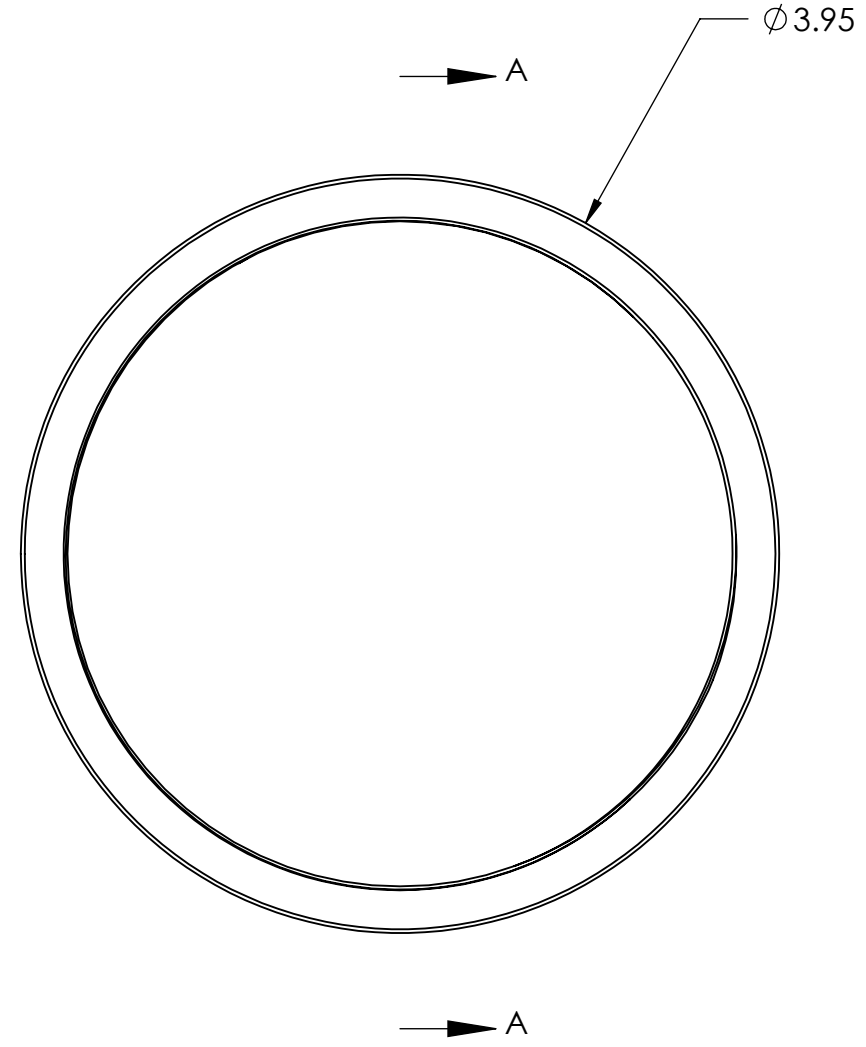
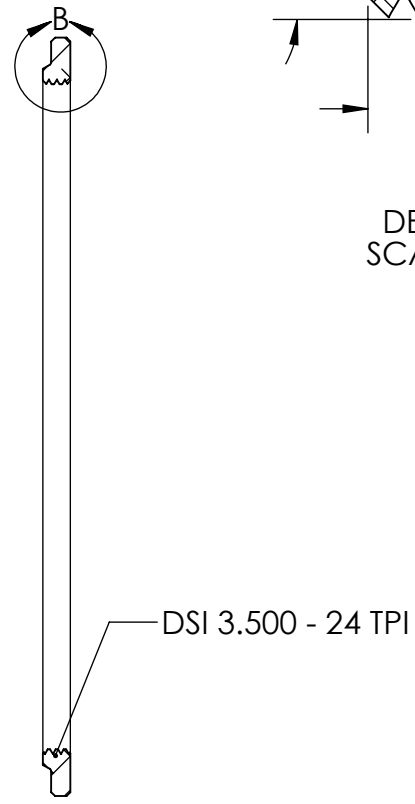


PN 5535
STK NO 19897



DETAIL B
SCALE 6 : 1



UNLESS OTHERWISE SPECIFIED: DIMENSIONS ARE IN INCHES TWO PLACE DECIMAL ±.007 THREE PLACE DECIMAL ±.003	DRAWN	NAME	DATE	Optec Inc. TITLE: KNURLED LOCK RING
	CHECKED	LD	12/22/11	
	ENG APPR.			
	MFG APPR.			
MATERIAL: 6061-T6	Q.A.			SIZE DWG. NO. B 19-06777
STOCK SIZE: 0.00 X 0.00 X .00	CONTRACT		SCALE: 1:1 WEIGHT: SHEET 1 OF 1	
FINISH SEE NOTES	DSI SPACERS			
DO NOT SCALE DRAWING				