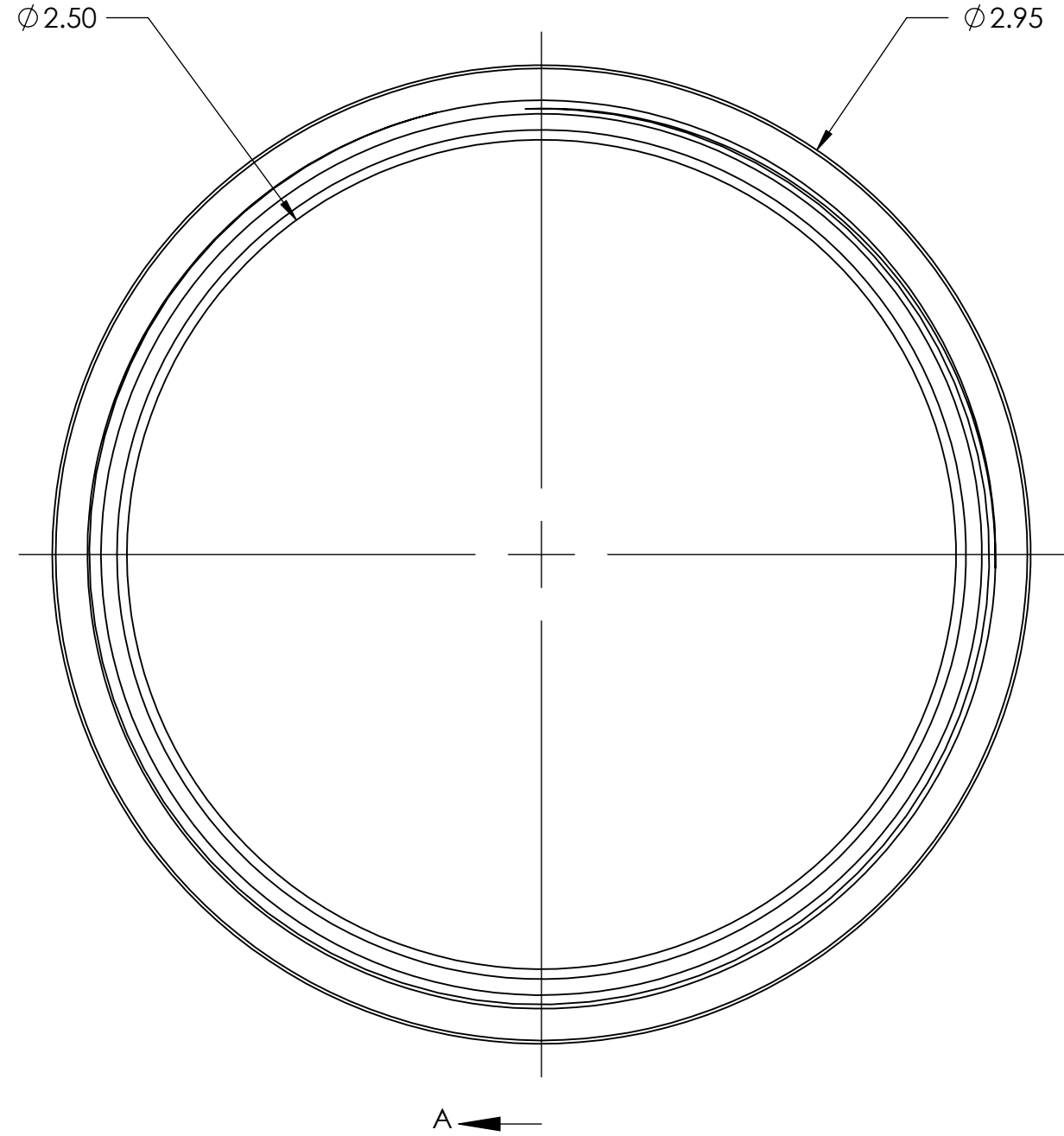
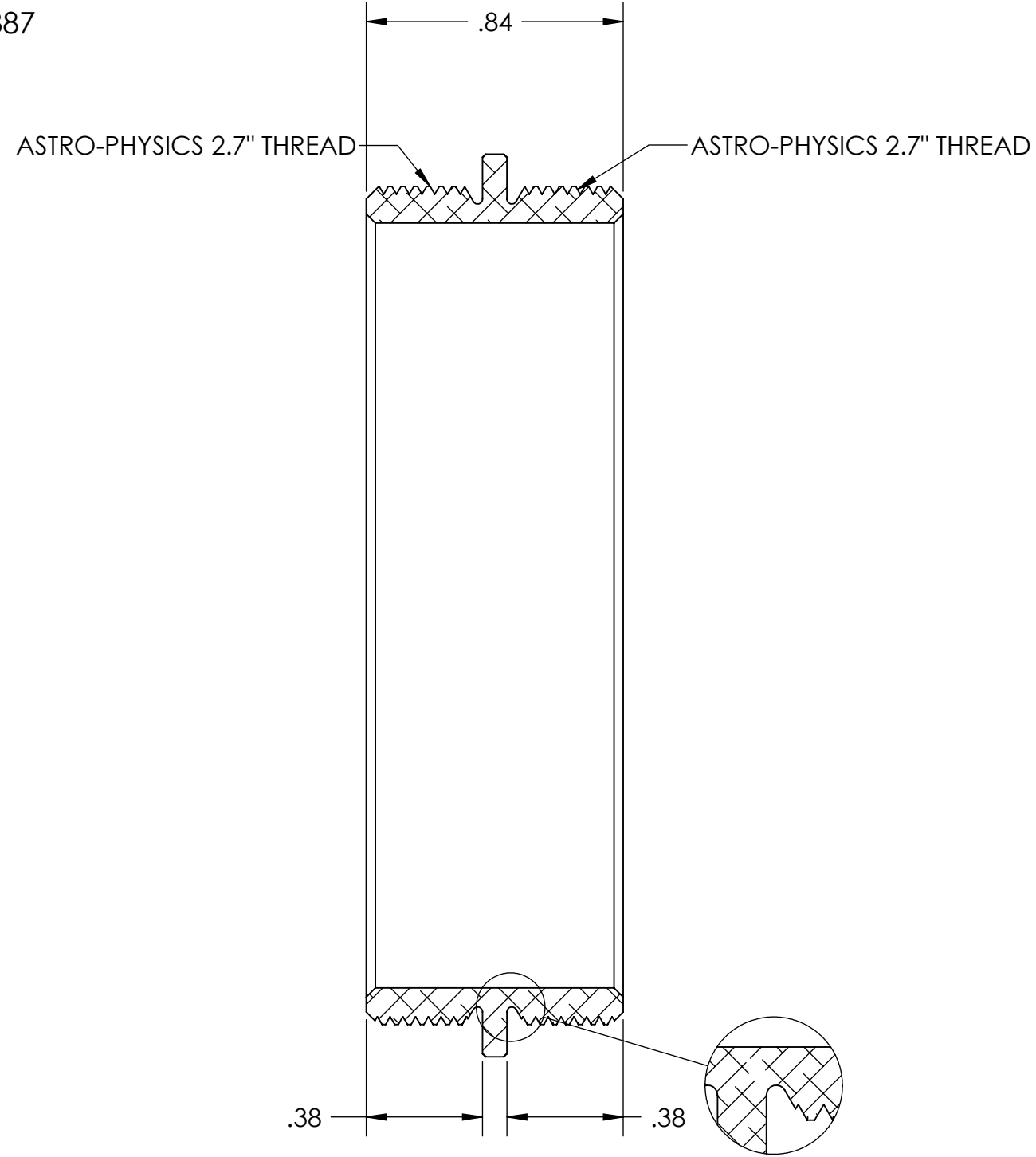


PN 5150
STK. NO. 19887



D
C
B
A

D
C
B
A

UNLESS OTHERWISE SPECIFIED: DIMENSIONS ARE IN INCHES TOLERANCES: FRACTIONAL \pm ANGULAR: MACH \pm BEND \pm TWO PLACE DECIMAL $\pm .007$ THREE PLACE DECIMAL $\pm .003$	DRAWN	NAME	DATE	Optec Inc.
	CHECKED	LD	08/24/10	
	ENG APPR.			
	MFG APPR.			
MATERIAL	6061-T6	CONTRACT		TITLE:
FINISH	SEE NOTES	AP2.7 ADAPTERS		MALE-TO-MALE ADAPTER
DO NOT SCALE DRAWING		SIZE	DWG. NO.	
		B	19-06768	
		SCALE: 2:1	WEIGHT:	SHEET 1 OF 1

