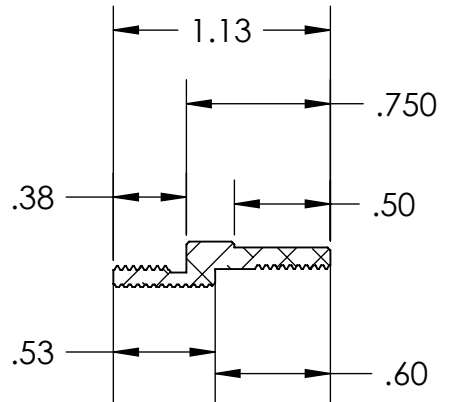


PN 5069  
 STK NO 19883

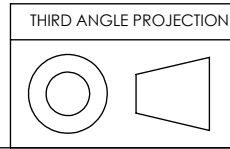
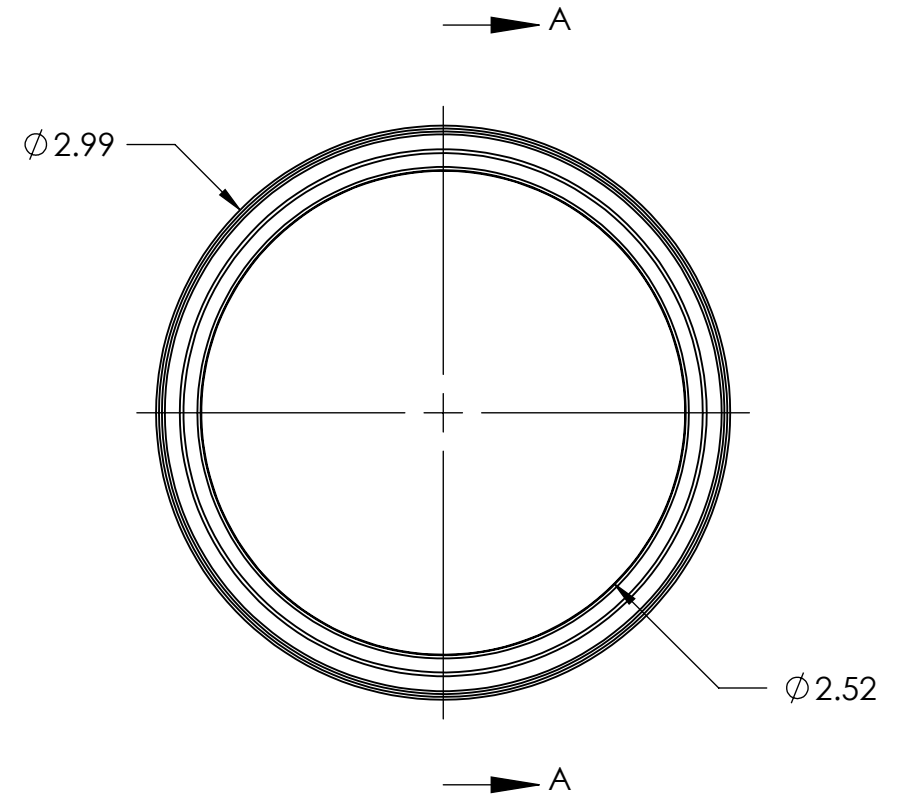


ASTRO-PHYSICS 2.7" FEMALE THREAD

KNURL

SECTION A-A

2.740-24 UNS-3A



UNLESS OTHERWISE SPECIFIED: DIMENSIONS ARE IN INCHES TOLERANCES: FRACTIONAL ± ANGULAR: MACH ± BEND ± TWO PLACE DECIMAL ±.007 THREE PLACE DECIMAL ±.003	DRAWN	NAME	DATE	<b>Optec Inc.</b>
	CHECKED	BV	4/28/10	
	ENG APPR.			
	MFG APPR.			
MATERIAL	6061-T6	CONTRACT		TITLE:  .750" EXTENSION
FINISH	SEE NOTES	AP 2.7 ADAPTERS		
DO NOT SCALE DRAWING		SIZE	DWG. NO.	
		<b>B</b>	<b>19-06762</b>	
		SCALE: 1:1	WEIGHT:	SHEET 1 OF 1