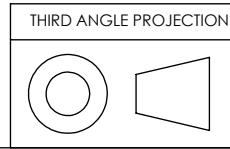
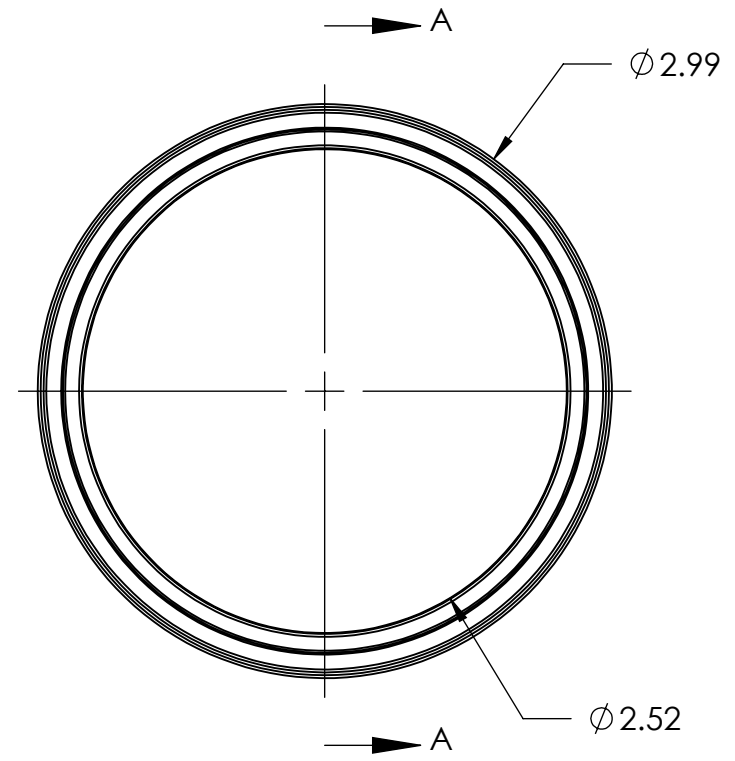
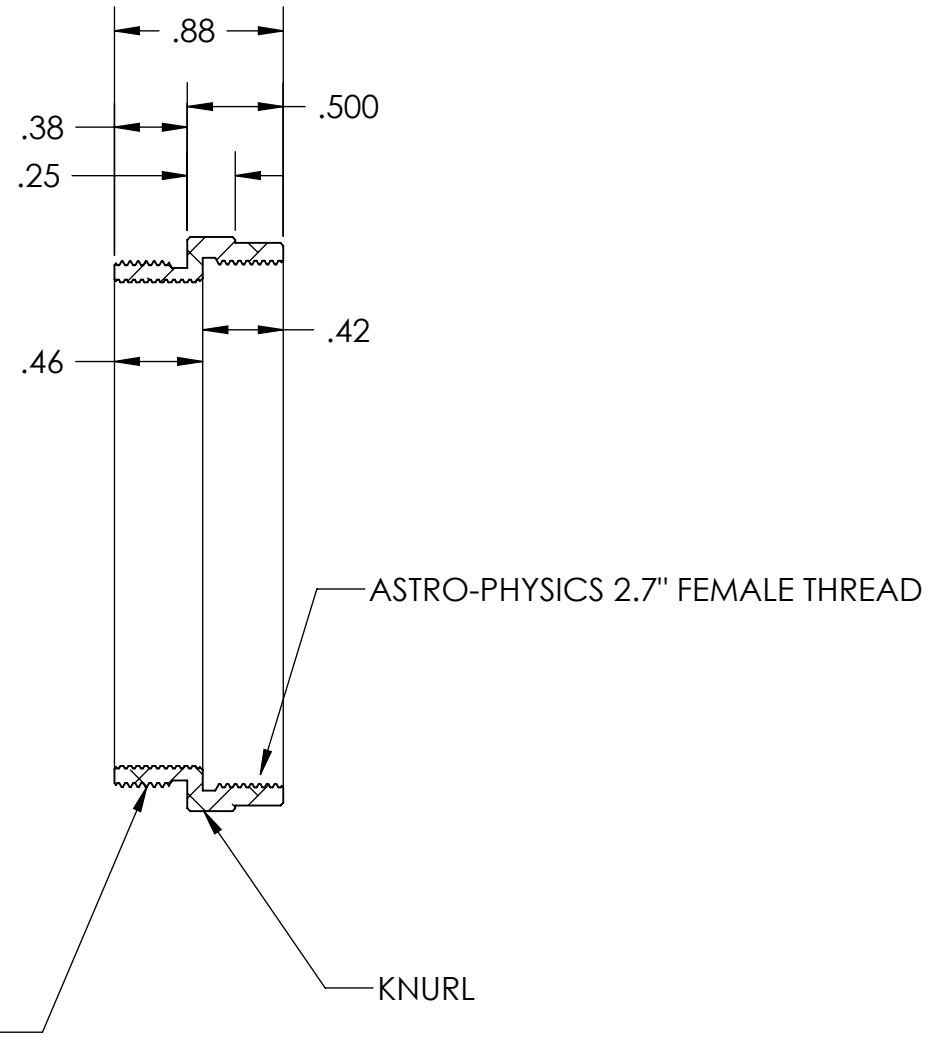


PN 5068  
 STK NO 19882



UNLESS OTHERWISE SPECIFIED: DIMENSIONS ARE IN INCHES TOLERANCES: FRACTIONAL ± ANGULAR: MACH ± BEND ± TWO PLACE DECIMAL ±.007 THREE PLACE DECIMAL ±.003	DRAWN	NAME	DATE	<b>Optec Inc.</b>
	CHECKED	BV	4/28/10	
	ENG APPR.			
	MFG APPR.			
				TITLE: .500" EXTENSION
				SIZE DWG. NO. <b>B</b> 19-06761
				SCALE: 1:1 WEIGHT: SHEET 1 OF 1

THIRD ANGLE PROJECTION
MATERIAL 6061-T6
FINISH SEE NOTES
DO NOT SCALE DRAWING

CONTRACT
AP 2.7 ADAPTERS