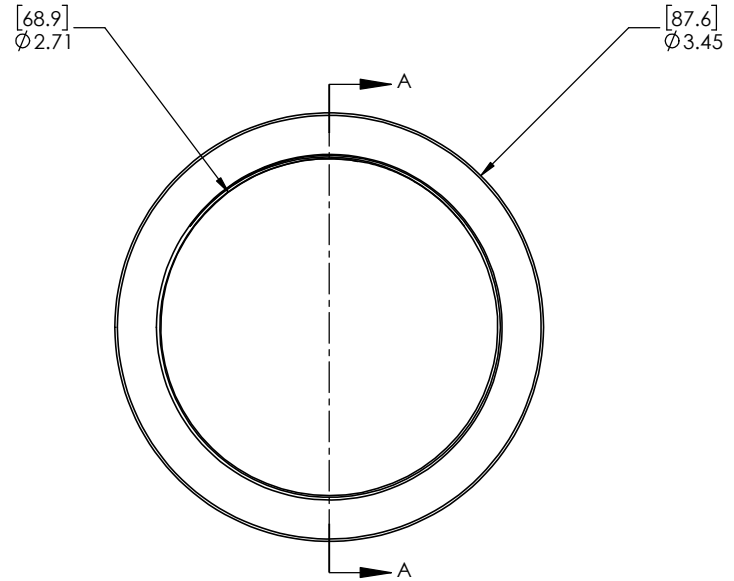
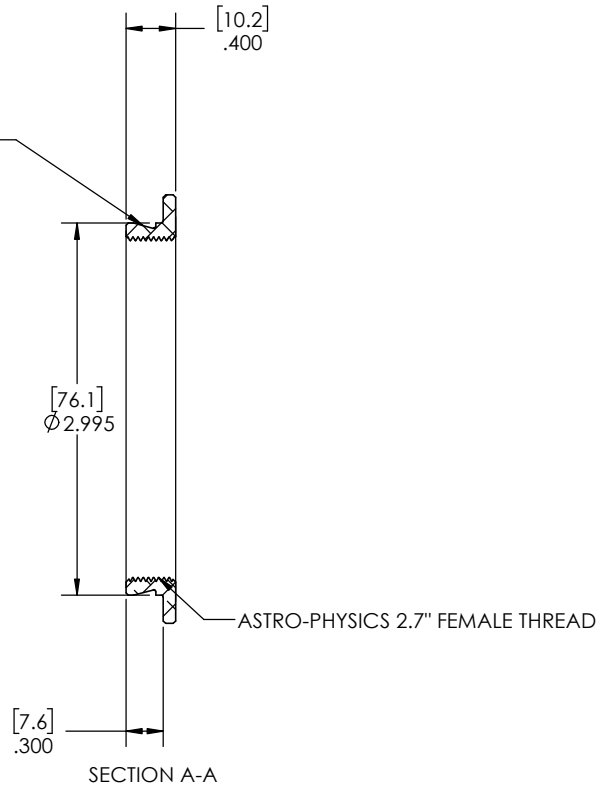
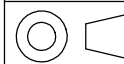


PN 6000
STK NO 19872

OPTEC-3000-S DOVETAIL



THIRD ANGLE PROJECTION



UNLESS OTHERWISE SPECIFIED: DIMENSIONS ARE IN INCHES TWO PLACE DECIMAL ±.007 THREE PLACE DECIMAL ±.003	DRAWN	NAME	DATE	Optec Inc. TITLE: OPTEC-3000S TO AP2.7 FEMALE
	CHECKED	LD	1/31/19	
	ENG APPR.			
	MFG APPR.			
	Q.A.			
MATERIAL	6061-T6			CONTRACT OPTEC-3000S
FINISH	SEE NOTES			
DO NOT SCALE DRAWING				
SIZE	B			DWG. NO. 19-06711
SCALE: 1:1	WEIGHT:	SHEET 1 OF 1		