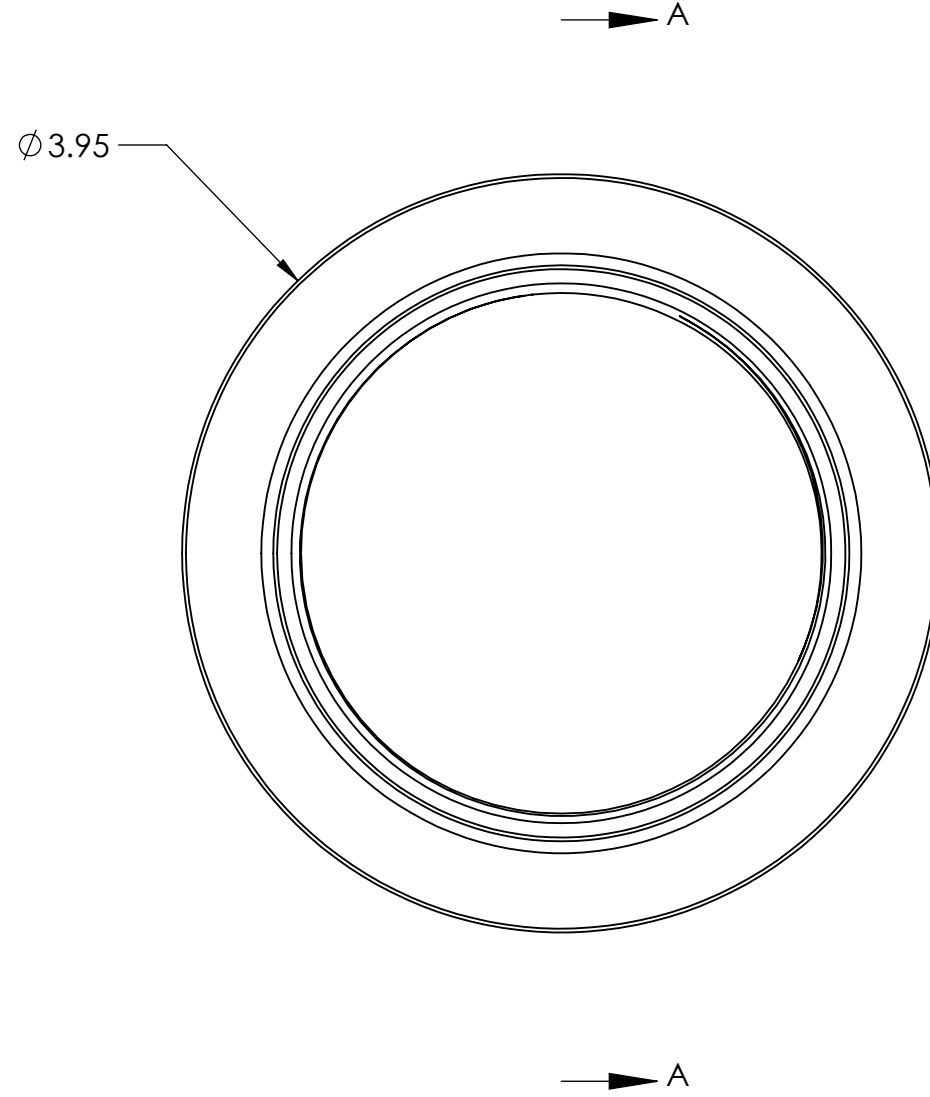
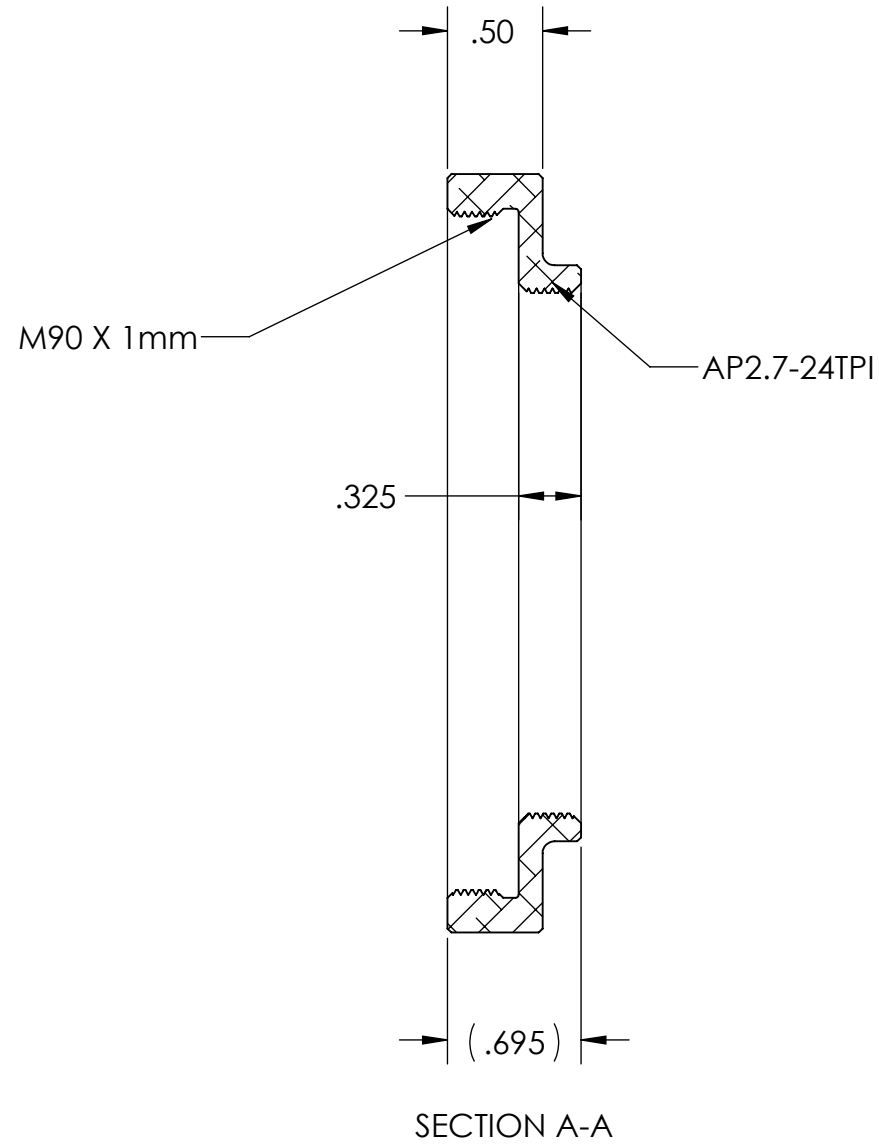


PN 5661
 STK NO 19870



UNLESS OTHERWISE SPECIFIED: DIMENSIONS ARE IN INCHES TOLERANCES: FRACTIONAL ± ANGULAR: MACH ± BEND ± TWO PLACE DECIMAL ±.007 THREE PLACE DECIMAL ±.003	DRAWN	NAME	DATE	Optec Inc. TITLE: M90X1mm TO AP 2.7" CONTRACT AP 2.7 ADAPTERS
	CHECKED	LD	08/23/13	
	ENG APPR.			
	MFG APPR.			
	Q.A.			
THIRD ANGLE PROJECTION 	MATERIAL	6061-T6		SIZE B
FINISH	SEE NOTES		DWG. NO.	19-06769
DO NOT SCALE DRAWING			SCALE: 1:1	WEIGHT:
			SHEET 1 OF 1	