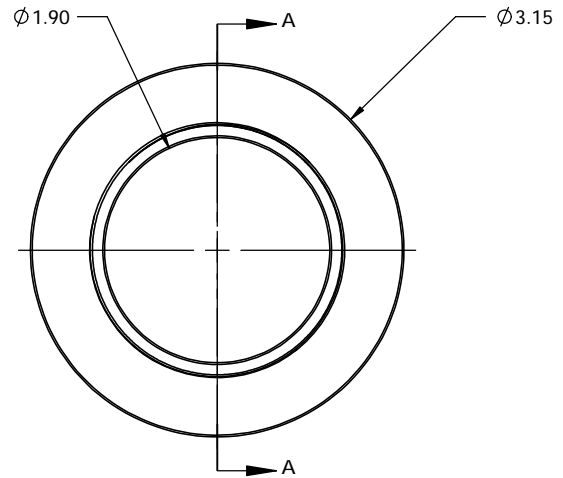
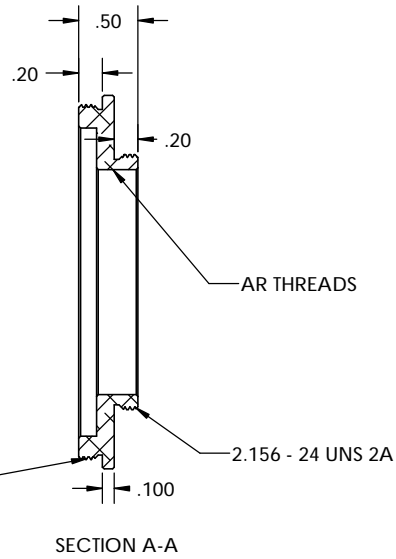


PN 5166
STK NO 19372



UNLESS OTHERWISE SPECIFIED:		DRAWN	NAME	DATE	Optec Inc.
DIMENSIONS ARE IN INCHES		CHECKED	LD	09/17/10	
TOLERANCES:		ENG APPR.			
FRACTIONAL ±		MFG APPR.			
ANGULAR: MACH ± BEND ±		Q.A.			TITLE: 3.000 - 24 TO 2.156 - 24
TWO PLACE DECIMAL ±.007		CONTRACT			SIZE DWG. NO.
THREE PLACE DECIMAL ±.003		3.000 - 24 TPI ADAPTERS			B 19-03812
THIRD ANGLE PROJECTION		DO NOT SCALE DRAWING			SCALE: 1:1 WEIGHT: SHEET 1 OF 1

